

TRAILER RANGE



ECO-6



ECO-8



GR-8



EURO-11



GR-12



GR-12 DRIVE



XL PRO-14



GR-15



HOOKLIFT

BOTEX

Classic Range

XL PRO-14



The XL PRO-14 is the largest model in our 'Classic Range'. Born from the need for a hybrid road/forest trailer, this unit benefits from an extendable rear bolster section which increases the bed length for 2 bays of 3 metre timber. When not required, much of this extra section remains inside the chassis.

JAS P WILSON

FOREST MACHINES

Tel: 01556 612233

botex@jaspwilson.co.uk

www.jaspwilson.co.uk

Classic Range XL PRO-14



KEY FEATURES



**Extending to
2 Bays of 3m**

An extending rear section creates the ideal trailer for carrying 2 bays of 3 metre timber when needed.



Road Travel

When high load capacity and road travel are key concerns, this trailer offers the best of both.

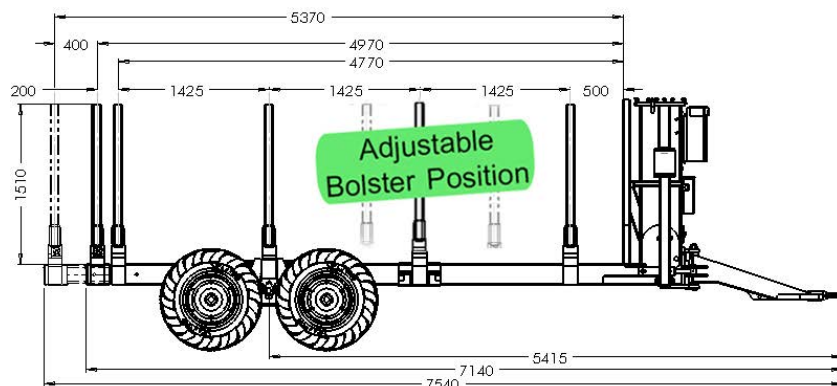
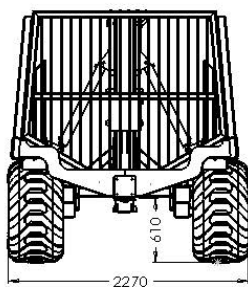


**4 Wheel
Braking**

As standard this trailer comes with 4 wheel Air Over Hydraulic Brakes.

Technical Specification	XL PRO-14
Max. Load	12,000 kg
Carrying Capacity	13.5 m ³
Unladen Trailer Weight (no loader)	2190 kg
Total Length	7540 mm
Total Width	2270 mm
Load Space Area	2.5 m ²
Load Space Length	4970mm (5370mm when extended)
Bunks/Posts	4/8 (5/10 when extended)
Ground Clearance	610 mm
Drawbar Type	Steering
Wheel Size	500/50/17
Tyre Ply	18
Brakes	4 Wheel Air Over Hydraulic
Road Lights	As Standard
Loader Options	Botex 570 or 580

TECHNICAL DIAGRAM



OPTIONAL EXTRAS

There are a number of options available, please contact us and discuss your requirements.