

TRAILER RANGE



ECO-6



ECO-8



GR-8



EURO-11



GR-12



GR-12 DRIVE



XL PRO-14



GR-15



HOOKLIFT

# BOTEX

## Green Range GR-15



UK MADE



The GR-15 (previously known as the BIGFOOT trailer) is the perfect large load capacity trailer for in the forest. Its large diameter 600 tyres ensure great flotation on soft and difficult sites. It has an inbuilt extension for when you need to carry 2 bays of 3 metre.

# JAS P WILSON

FOREST MACHINES

Tel: 01556 612233

botex@jaspwilson.co.uk

www.jaspwilson.co.uk

KEY FEATURES



**Extending to 2 Bays of 3m**

An extending rear section creates the ideal trailer for secondary forwarding from the forest.



**Large Wheels**

Large diameter wheels and tyres combined with excellent bogie travel creates a machine capable on roads and forests alike.

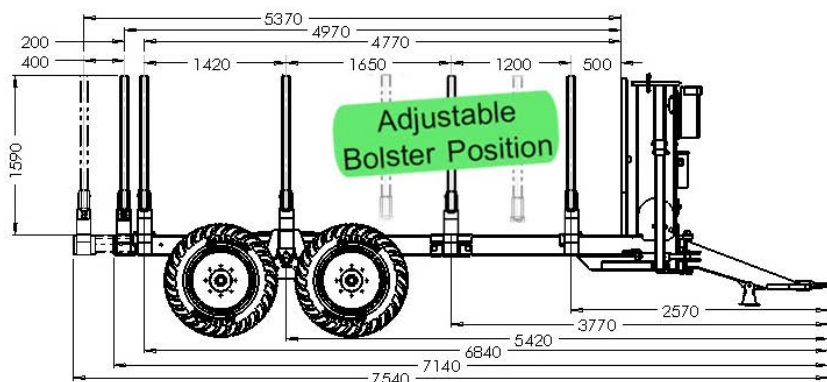
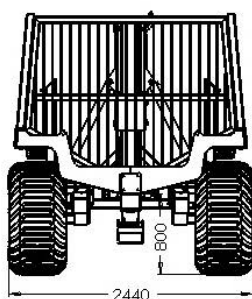


**Performance**

High volumes of timber, in short periods of time with minimum ground damage... The GR-15 'Bigfoot' rules the forest!

Technical Specification	GR-15 'Bigfoot'
Max. Load	15,000 kg
Carrying Capacity	15 m <sup>3</sup>
Unladen Trailer Weight (no loader)	3450 kg
Total Length	7540 mm
Total Width	2440 mm
Load Space Area	2.9 m <sup>2</sup>
Load Space Length	4970mm (5370mm when extended)
Bunks/Posts	4/8 (5/10 when extended)
Ground Clearance	800 mm
Drawbar Type	Steering
Wheel Size	600/50/22.5
Tyre Ply	16
Brakes	4 Wheel Air over Hydraulic
Road Lights	As Standard
Loader Options	Botex 570 or 580

TECHNICAL DIAGRAM



OPTIONAL EXTRAS

There are a number of options available, please contact us and discuss your requirements.