



ECO-6



ECO-8



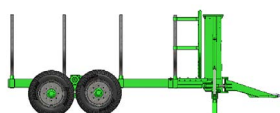
GR-8



EURO-11



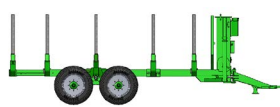
GR-12



GR-12 DRIVE



XL PRO-14



GR-15



HOOKLIFT



The EURO-11 is one of our core best sellers, and much of the reason behind continuing our 'Classic Range'. It was simply too well liked to modify. We have sold hundreds across the UK. The trailers robust design and capability are key factors in its widespread appeal with Estates, Contractors and Tree Surgeons who require all-round performance.

JAS P WILSON

FOREST MACHINES

Tel: 01556 612233

botex@jaspwilson.co.uk

www.jaspwilson.co.uk

KEY FEATURES



Heavy Duty

Botex trailers are known for their heavy duty build, and it's this model which built that reputation.



Proven Design

It's a tried and tested success story. Time after time, customers return for another Euro-11.

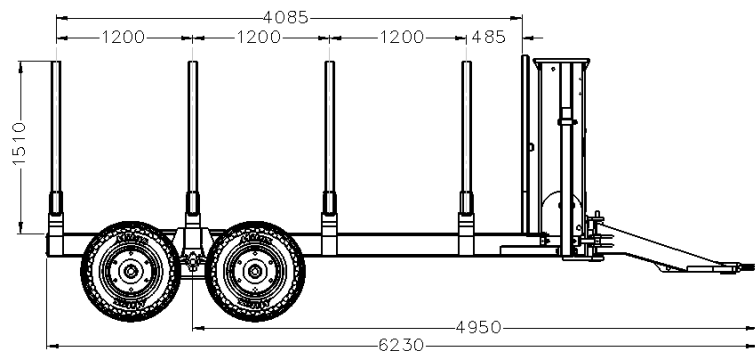
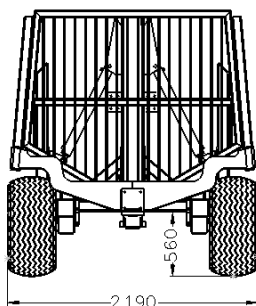


Loaders

This is our most compact trailer which will take our heavy duty powerful 500 series loaders!

Technical Specification	EURO-11
Max. Load	11,000 kg
Carrying Capacity	11 m ³
Unladen Trailer Weight (no loader)	1820 kg
Total Length	6230 mm
Total Width	2190 mm
Load Space Area	2.7 m ²
Load Space Length	4085 mm
Bunks/Posts	4/8
Ground Clearance	560 mm
Drawbar Type	Steering
Wheel Size	400/60/15.5
Tyre Ply	14
Brakes	2 Wheel Hydraulic
Road Lights	As Standard
Loader Options	Botex 560, 570 or 580

TECHNICAL DIAGRAM



OPTIONAL EXTRAS

There are a number of options available, please contact us and discuss your requirements.