



ECO-6



ECO-8



GR-8



EURO-11



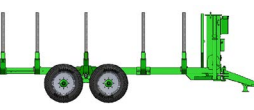
GR-12



GR-12 DRIVE



XL PRO-14



GR-15



HOOKLIFT



The GR-8 is the smallest in the 'Green Range' trailer. Unlike the Eco-8, the GR-8 benefits from a steering drawbar, which greatly adds to its manoeuvrability. This size of trailer is ideal for a number of situations where a compact trailer is required. This trailer is suitable for small agricultural or estate tractors.

JAS P WILSON

FOREST MACHINES

Tel: 01556 612233

botex@jaspwilson.co.uk

www.jaspwilson.co.uk

KEY FEATURES



Low Power Requirement

This compact model is ideal for those with small tractors.



Manoeuvrability

This compact trailer benefits from a steering drawbar, its usability in tight sites is a key strength.

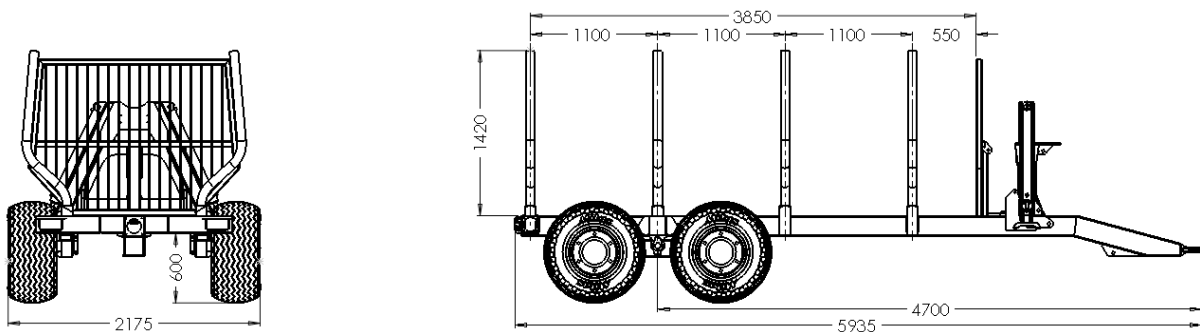


Tyres

Our standard tyres offer lower ground pressure than other trailers in the same size class.

Technical Specification	GR-8
Max. Load	8000 kg
Carrying Capacity	8 m ³
Unladen Trailer Weight (no loader)	1425 kg
Total Length	5935 mm
Total Width	2175 mm
Load Space Area	2.2 m ²
Load Space Length	3850 mm
Bunks/Posts	4/8
Ground Clearance	600 mm
Drawbar Type	Steering
Wheel Size	400/60/15.5
Tyre Ply	14
Brakes	2 Wheel Hydraulic
Road Lights	As Standard
Loader Options	Igland 37-64 or Botex 360

TECHNICAL DIAGRAM



OPTIONAL EXTRAS

There are a number of options available, please contact us and discuss your requirements.