

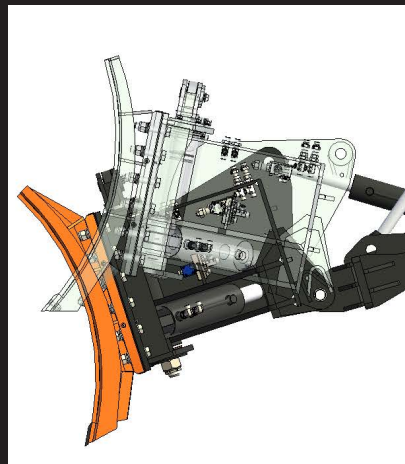
8-Way Dozer Blade for PT-300

Eight-way dozer blade with heavy-duty frame and 2400 mm working width. Designed for rough and finish grading in dirt, leveling and trenching.

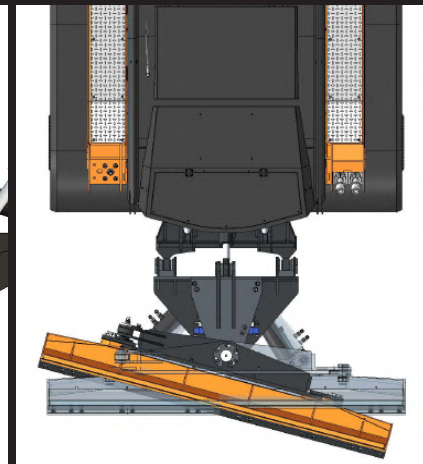
Can be mounted onto any PT-300 (John Deere or CAT engine), with cab or remote control.



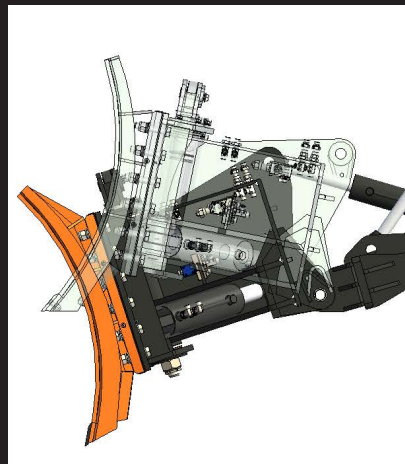
Range of motion



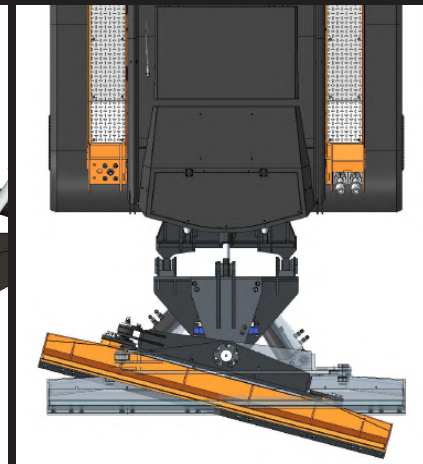
1. TILT



2. LIFT



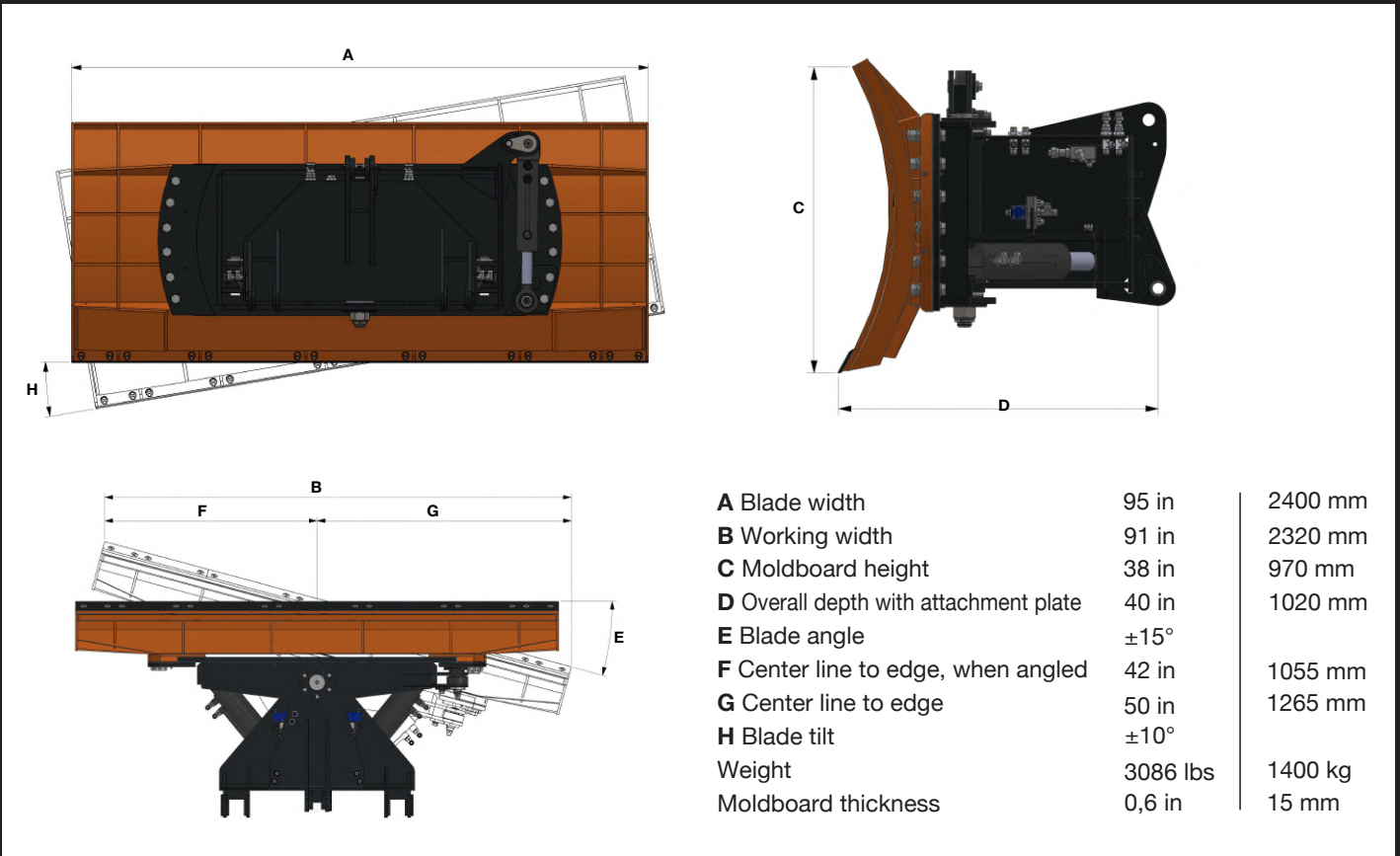
3. ROLL



4. ANGLE

The 8-way movement allows you to tilt (1), lift (2), roll (3) and angle (4) the blade , all from the cab or remote control of your PT-300!





Features

- Hydraulic controlled angle and tilt
- Angles 15 degrees right or left off center
- Tilts 10 degrees off horizontal both directions
- Relief valves to protect the hydraulic angling system when the blade is overloaded.



FAE Group S.p.A. - PrimeTech Division

Via G. Marconi, 20 // 38011 Sarnonico (TN) // Italy // Tel. +39 0463 840 080 // Fax +39 0463 840 099



PrimeTech Shredding Equipment Ltd. - Branch Office

110 Saskatchewan Ave - Spruce Grove, AB, T7X 0V5 // Canada // Tel. 780-948-8882 // Fax 780-948-8886
www.prime-tech.com // info@prime-tech.com

